

## Description

10K ohm NTC external temperature sensor in IP54 plastic enclosure.

No Adjustment possibilities.

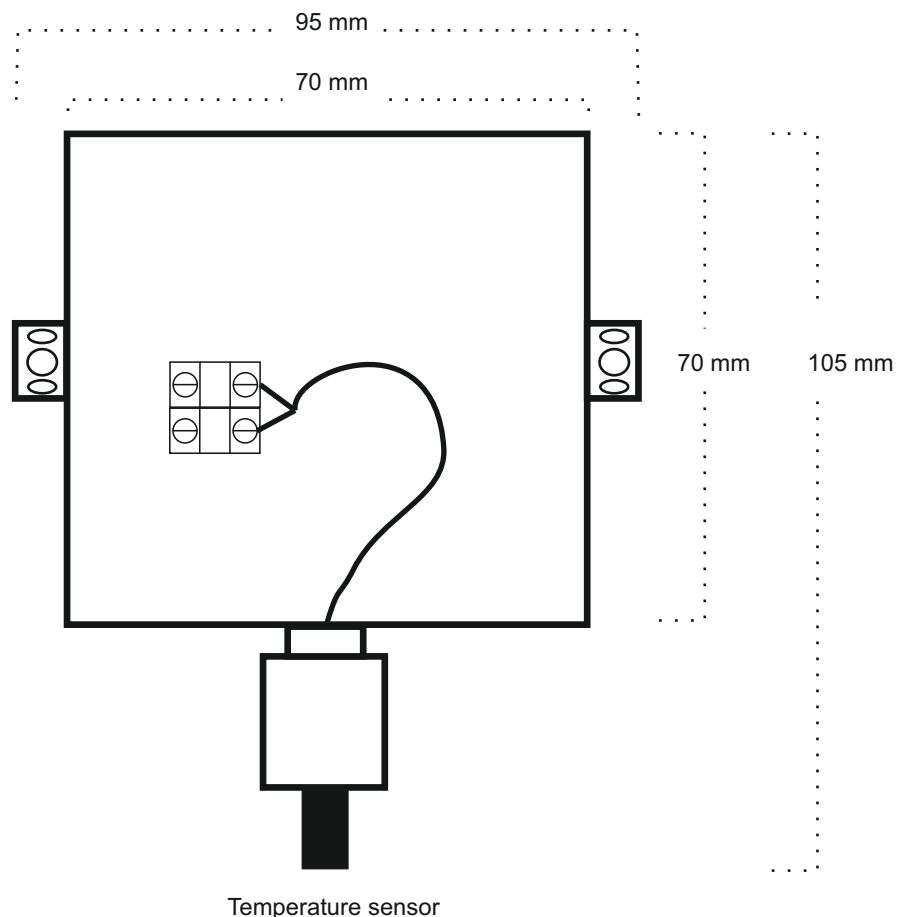


## Mounting

To be mounted according to current regulations. Wire for sensor signal is run through one of the membranes at the bottom of the box.

If the unit is going to be used for measurement of outdoor temperature, it is recommended to place the unit on the north side of the building to avoid heat from the sun.

## Connection and Measurements



## Technical Specifications

Enclosure:	IP54
Dimension (HxWxD):	105 x 95 x 38 mm
Operating Temperature:	-20°C - +105°C
Storage Temperature:	-20°C - +105°C
Weight:	100 gram
Output:	10K NTC
Sensor Type	R25°C=10K±1%
Sensor B-value	B25/50=3950±1%

Dato:	29/05-2024
Tegnet af:	DF
Dokumentnr.:	950-209135 NTC 10K Outdoor Sensor
Rev.:	1.2
Producent:	<b>LS Control A/S</b> , Industrivej 12, DK-4160 Herlufmagle