

Description

Pressure transducer without display and 1 or 2 pressure sensors.

PressureBox pressure transducer measure gauge, negative and differential pressure. By entering the K-factor it is possible, due to the build-in PID-regulator to maintain a constant flow or without K-factor a constant pressure.

PressureBox without display must be set up by ModBus protocol if the PID-regulator is to be used. Please refer to complete manual for this feature.

If PressureBox is entirely to be used as pressure transducer, it is possible to connect it and read the pressure from the analogue 0-10V / 4-20mA output. See below connection diagram.

Note: 40748 PressureBox DUAL E 500 24DC / ES 1088 is equipped with ModBus **only**. No 0-10V output or digital input is available in this model. Please refer to Manual.



Warning

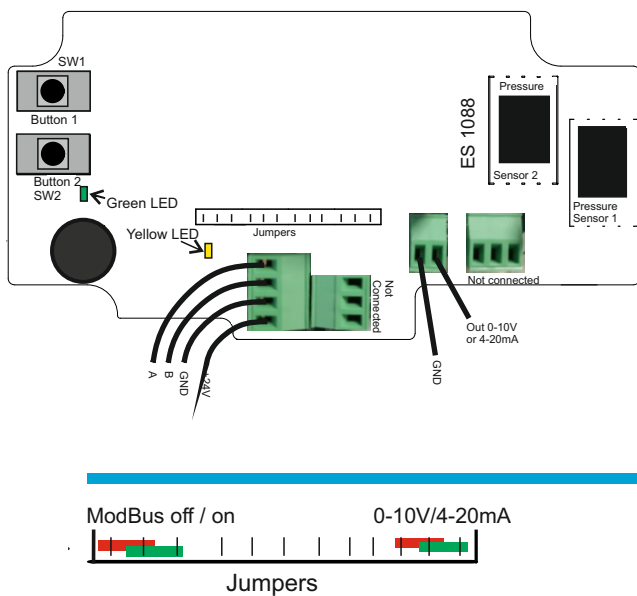


ESD Sensitive when lid is off. Make sure to be ESD discharged before touching the push-buttons.

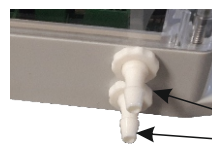
Mounting

Must be mounted on a non-vibrating surface in a non-condensing environment where not exposed to direct sunlight.

Connection diagram

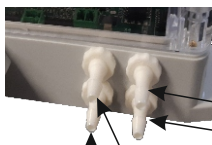


Connecting Pressure tubes



Connecting pressure tubes to PressureBox with one transducer.

Pressure +
Suction -



Connecting pressure tubes to PressureBox with 2 transducers.

Pressure +
Suction -

Pressure Transducer 1
Pressure Transducer 2

Changing the pressure area for PressureBox

PressureBox can be set-up to different pressure areas. Refer to the complete manual to learn which pressure areas are valid for each model, and the factory setting of the models.

To change the pressure area in any of the models, push button 1 until the yellow LED is constantly lit. Let go of button 1 and push it shortly the number of times needed to get to the wanted pressure area.

Push button 2 to save the selected pressure area. Yellow LED turns off, when pressure area is saved. PressureBox is now ready for use and the green LED continuously flashes number of times corresponding to the selected pressure area.

If wrong pressure area has been chosen, the procedure needs to be repeated from the beginning.

Note: Pressure area for 40748 PressureBox Dual E 500 24DC is fixed 0-500Pa

ItemNo.	Item Name	Pressure Area Pa	Factory Set.
40760	PressureBox E 2500	0-250, 0-500, 0-1500, 0-2500	0-500
40765	PressureBox E 7000	0-2000, 0-3000, 0-5000, 0-7000	0-7000
40770	PressureBox Dual E 2500	0-250, 0-500, 0-1500, 0-2500	0-500
40775	PressureBox Dual E 7000	0-2000, 0-3000, 0-5000, 0-7000	0-7000

Technical specifications

Supply Voltage:	24V AC/DC ±15%
Enclosure:	IP54
Dimension (HxWxD):	65x145x40mm
Pressure hose connection:	Ø 4mm
Humidity:	0-97%RH non-condensing
Working temperature:	
24VAC:	-20°C to +35°C
24VDC:	-20°C to +50°C
	non-condensing
Storage temperature:	+5°C to +50°C, non-condensing
Pressure area:	See product label and table
Pressure accuracy:	See Manual
Communication protocol:	ModBus
Communication Interface:	Rs485



QR-code for download of manual

Date: 24-10-2023
 Drawn by: DF
 Document No.: 950-208297 PressureBox uden display
 Rev.: 1.4
 Manufacturer: **LS Control A/S**, Industrivej 12, DK-4160 Herlufmagle