

Description

Pressure transducer with display and 1 or 2 pressure inputs..

PressureBox pressure transducer measure gauge, negative and differential pressure. By entering the K-factor it is possible, due to the build-in PID-regulator, to maintain a constant flow, or without K-factor a constant pressure.

Pressure Box is easily set by use of the push buttons under the lid or via ModBus protocol. See separate manual for ModBus settings.

the display at PressureBox can be set to alternately show pressure, temperature, status on the digital inputs and the value in percent on the analogue output or constant displaying one of the above.

Warning



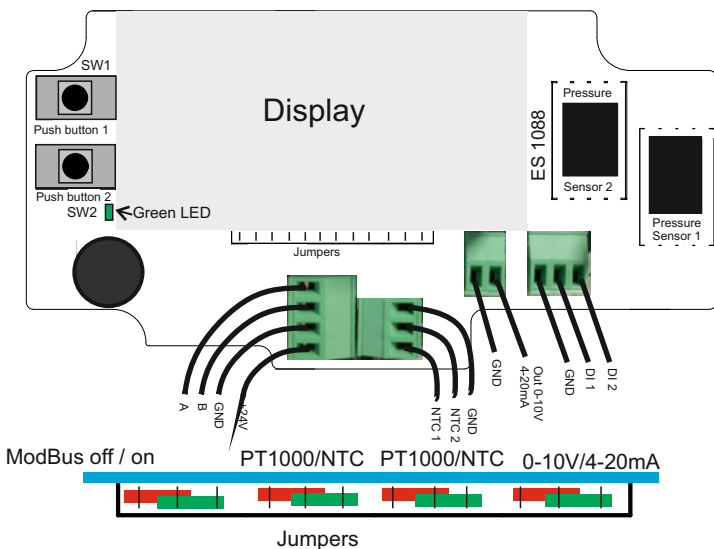
ESD-Sensitive when lid is off. Make sure to be ESD discharged before touching the push-buttons.

Mounting

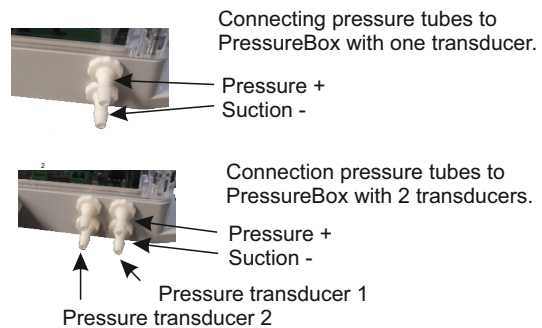
Must be mounted on a non-vibrating surface in a non-condensing environment, where not exposed to direct sunlight.



Connection Diagram



Connecting the Pressure Tubes



Setting Using Push-Buttons

The menu structure of PressureBox is reached by pushing button 2 for 3 sec., when the display shows 01.SET1, Let go of button 2.

By pressing button 1 shortly you can change to other menu settings.

If you want to change 01.SET1, push button 2 shortly, the first digit will start flashing. Then push button 1 until the wanted digit is shown in the display. Go to the next digit by shortly pushing button 2. When you push button 2 after the last digit is set, the new set point value is updated and saved.

You then continue to the next menu setting by pushing button 1.

When all menu settings have been examined and altered to your requirements the display will eventually show 26:EXIT. You then push button 2, and PressureBox will return to show present data values in display.

Also PressureBox will leave the menu setting if no push-buttons are activated for approx. 25 sec. and the light in the display is turned off.

NOTE: Jumpers must be set according to the required usage. Please refer to the complete manual for more specific setting choices and for pressure areas for each model-

Changing Pressure Area for PressureBox

The pressure area for the PressureBox can be changed by use of the push-buttons. When PressureBox is not in the Menu setting, Push button 1 for approx 15 sec. until display shows SCALEMAX and the current setting. You may change amongst 4 scale values by pushing button 1. When wanted scale value is shown in display, push button 2 to save the new SCALEMAX and return to measuring.

Technical Specifications

Supply Voltage:	24V AC/DC ±15%
Enclosure:	IP54
Dimension (HxWxD):	65x145x40mm
Pressure Tube Connection:	Ø 4mm
Temperature Sensor Input:	2 x NTC10K / PT1000
Temperature Sensor Area:	dependent on sensor type
Humidity:	0-97%RH non-condensing
Working Temperature	
24VAC:	-20°C to +35°C
24VDC:	-20°C to +50°C
	non-condensing
Storage temperature:	5°C til +50°C, non-condensing
Pressure Area:	See product label
Pressure Accuracy:	See manual
Communication Protocol:	ModBus
Communication Interface:	RS485



ItemNo.	Item Name	Pressure Area Pa	Factory set.
40745	PressureBox ED 50		0-50
40747	PressureBox ED 500	0-50, 0-125, 0-250, 0-500	0-500
40780	PressureBox ED 2500	0-250, 0-500, 0-1500, 0-2500	0-500
40785	PressureBox ED 7000	0-2000, 0-3000, 0-5000, 0-7000	0-7000
40790	PressureBox Dual ED 2500	0-250, 0-500, 0-1500, 0-2500	0-500
40798	PressureBox Dual ED 7000	0-2000, 0-3000, 0-5000, 0-7000	0-7000



QR-code for download of manual

Date: 01-09-2023

Drawn by DF

Document No.: 950-208296 PressureBox med display

Rev.: 1.2

Manufacturer: LS Control A/S, Industrivej 12, DK-4160 Herlufmagle

www.lsccontrol.dk phone. +45 5550 5550 lsc@lsccontrol.dk