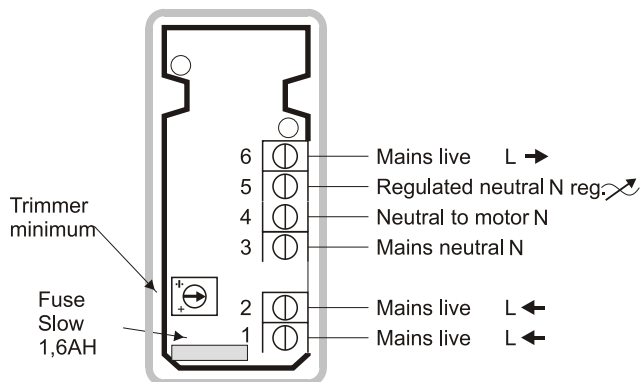


ES 33

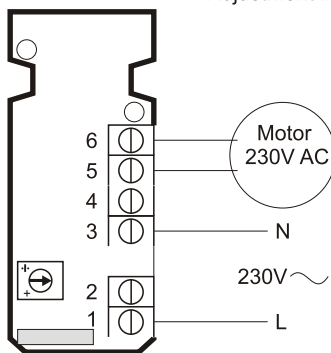
Manual controller with switch 1,5 A

Connection diagram:

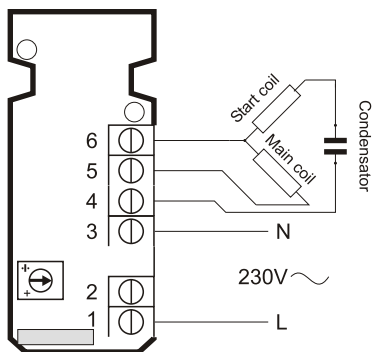
Regulator rear view



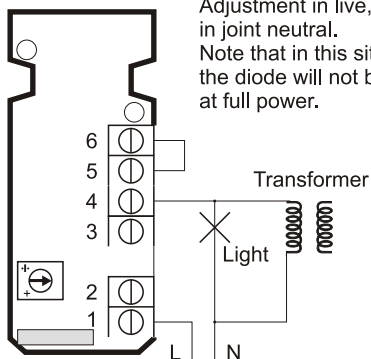
Standard connection:
Adjustment in neutral if used for lighting.



Connection to fan motor with 3 wires.



Adjustment in live, load
in joint neutral.
Note that in this situation
the diode will not be illuminated
at full power.



Technical data:

Supply:	230 V AC, 50/60 Hz
Mains fuse:	maks. 13A
Load:	maks. 1,5 A
Internal fuse:	T1,6 A H
Enclosure:	IP 20
Dimension (HxBxD):	80 x 53 x 56 mm
Op. temperatur:	0-40 °C uden kondens
Output voltage:	70-225V +6% - 10%
Adjustment of minimum:	70-160V +6% - 10%

Description:

Controller intended for fan motors. Also suitable for adjustment of transformers or lighting. The control principle is leading edge.

For the best adjustment result, adjustable fan motors are recommended.

The motor speed is a result of the load on the motor shaft and the voltage supplied by the controller. If the ventilation plant is not dimensioned correctly either with too small ducting or too big ducting, the motor will typically be operating at full speed.

Adjustment:

The ES 33 is supplied from the factory with a preset minimum output voltage of 80V AC.

Connection to lighting. The trimmer is set at the point in which the light just starts to light when the controller is turned on.

Connection to fan motor. The trimmer is set at the point in which the motor starts up when the controller is turned on. If the motor is exposed to a high counter pressure, the minimum should be set at a higher level to ensure that the motor starts up in all situations.

Connection of transformer. The trimmer is set in the point in which the light just starts to light.

Mounting:

The controller is mounted in LK mounting unit for Fuga outlet box. The ES 33 is fixed with 2 screws under the cover plate until safely secured.

Date: 15/09-2000

Drawn by: PN - JEH

Rev.: 2.0

Manufactured by: **LS Control A/S**

LSCONTROL

www.lscontrol.dk tel. +45 5550 5550 fax +45 5550 2265