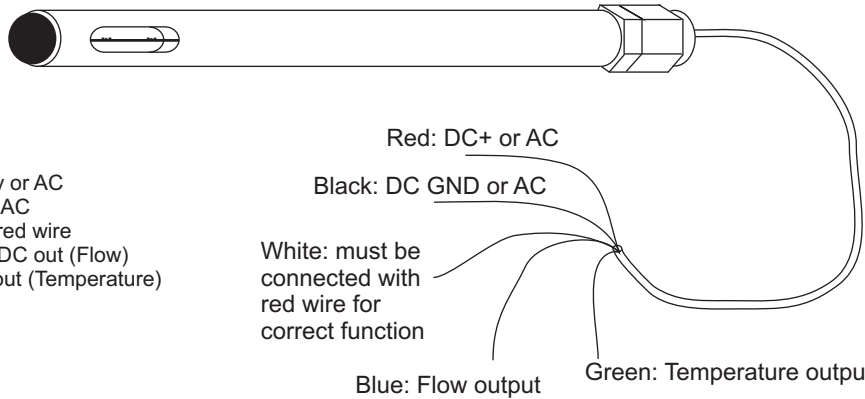
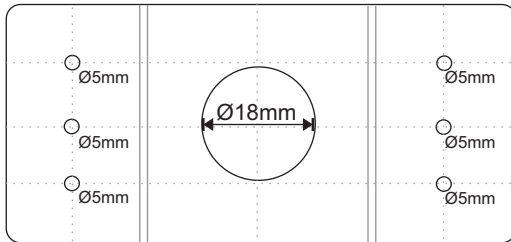


Duct sensor airflow velocity Flow and temperature sensor for ventilation duct

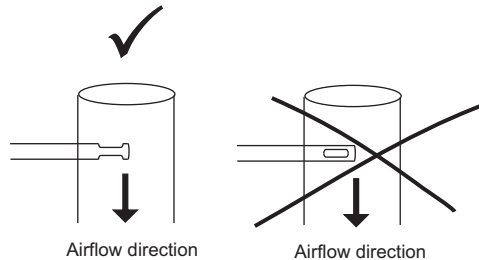
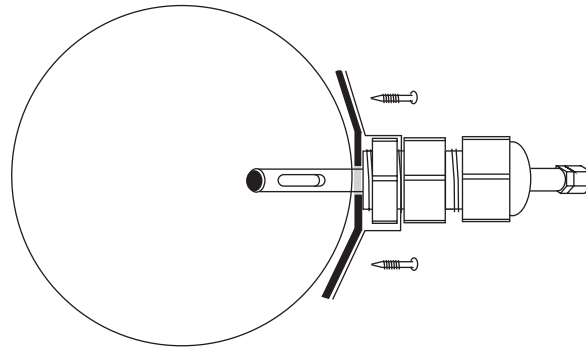
Red: DC + Supply or AC
 Black: DC GND or AC
 White: Connect to red wire
 Blue: 0.375 - 10VDC out (Flow)
 Green: 0 - 10VDC out (Temperature)



Accessory: Mounting bracket (prod.no. 49329)



Mounting with bracket



Technical specifications:

Power supply: 15 - 30 VDC 40mA or 24 VAC±15% 90mA
 Mains fuse: max. 300mA
 Op. Temperature: 5 - 50 °C
 Precision, temperature: ±5% @ flow >0.3m/s
 Precision, flow: ±10% of full scale
 Output, temperature: 0 - 10V DC (0 - 50 °C) 10mA
 Output, flow: 0.375 - 10V DC (0.3 - 8.0 m/s) 10mA
 Enclosure, in duct: IP 42 (for the part outside the duct)
 Enclosure, open: IP 10
 Dimensions: Ø18 x 200 mm
 Cable length: 2 m

Description:

Duct sensor which is able to measure airflow 0.3 - 8.0 meter/sec and air temperature 0 - 50 °C.

Output conversion:

Flow (0.3 - 8.0 m/s): (flow output) x 0.8 (0.375 - 10V)
 Temperature: (temperature output) x 5 (0.000 - 10V)

Conversion example:

Flow measured to 4.5V = 4.5V x 0.8 = 3.6 m/s.
 Temperature measured to 5.2V = 5.2V x 5 = 26.0 °C

The startup time of the product is up to 1 minute. The output signal will not reflect the flow measurement until after this start up time.

Configuration:

No Configuration.

Mounting:

The sensor is mounted on the duct with a bracket (to be ordered separately). It is important that the sensor is positioned correctly to ensure that the air passes through the openings in the sensor pipe. The sensor is fixed by tightening the gland on the bracket. The sensor is now secured in position. It is important to place the sensor in a steady airflow to avoid turbulent air. Do not install closer than the distance: (4 x duct diameter) to branches, elbows, air valves etc.

Cleaning/maintenance:

It is not advisable to disassemble the product, as this will affect the accuracy. The product may be cleaned with air. If compressed air is used, please show caution.



Drawing: 950-205225_kanalføler_lufthastighed_ES989_UK
 Rev.: 1.2
 Date: 12/06-2014
 Drawn by: KM
 Manufactured by: **LS Control A/S**



lsc@lscontrol.dk

tel. +45 5550 5550

fax +45 5550 2265