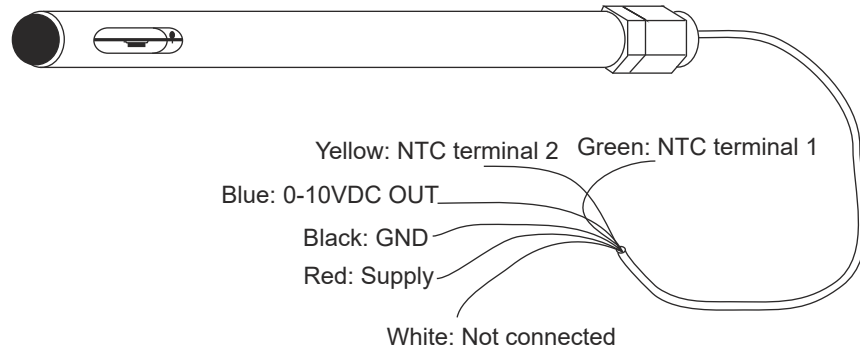
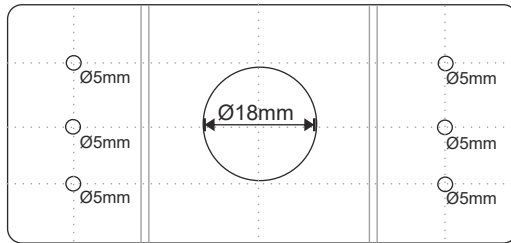


# RH SensorDuct

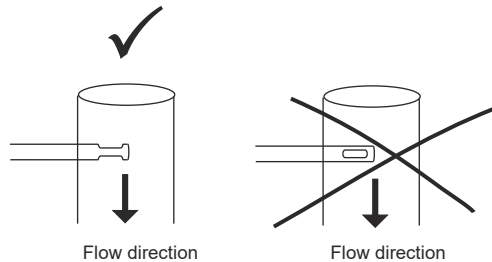
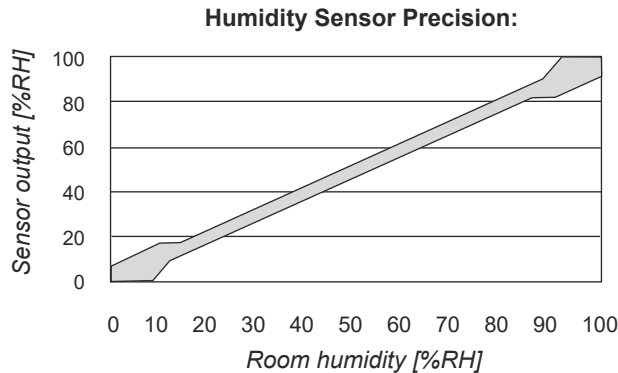
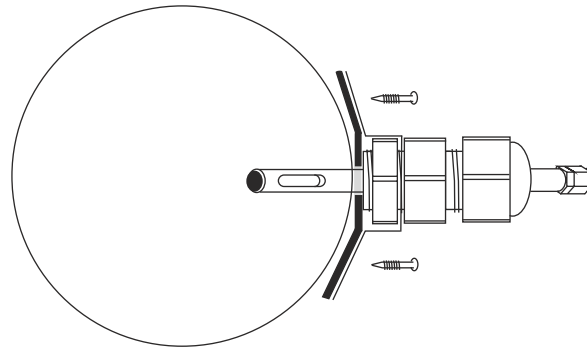
## Humidity and temperature sensor for ventilation ducts



### Accessory: Mounting bracket (prod.no. 49329)



### Mounting with bracket:



### Technical data:

Supply:	15-30 VDC 20mA or 24 VAC±15% 40mA
External mains fuse:	max 300mA
Op. temperature:	0-50 °C non condensing air
Accuracy temperature:	±2%
Accuracy humidity sensor:	see graph
Output, humidity:	0-10V DC 10mA
Output, temperature:	Terminals from 22K NTC-sensor
Enclosure, in duct:	IP 42 (for the external part on duct)
Enclosure, free:	IP 10
Dimensions:	Ø18 x 220 mm
Cable length on product:	2 m

The product does not withstand condensate / water

### Description:

The sensor is equipped with output for humidity and temperature.

Humidity sensor: 0-10VDC output signal from humidity sensor is converted as follows: %RH = Vout x 10. Example: 5,6V DC corresponds to 56 %RH

Temperature sensor: 22K NTC resistor value is used for equipment with 22K NTC sensor input.

### Adjustment:

N/A

### Mounting:

The sensor is mounted on the duct with a bracket (to be ordered separately). The sensor is fixed by tightening the gland on the bracket. The sensor pipe is now secured in position.

The sensor must be placed to ensure that the airflow passes through the sensor hole, and the humidity sensor should be facing down if at all possible (as illustrated on the drawing). This position ensures that condensate if any will run off automatically.

Green:	NTC terminal 1
Yellow:	NTC terminal 2
Blue:	0 - 10VDC out (%RH)
Black:	DC GND or AC
Red:	DC + supply or AC
White:	Not connected

Drawing: 950-205220\_kanalføler\_fugtighed\_ES991\_UK  
 Rev.: 1.1  
 Date: 15/12-2017  
 Drawn by: DF  
 Manufactured by: **LS Control A/S**  
**Industrivej 12, DK-4160 Herlufmagle**

