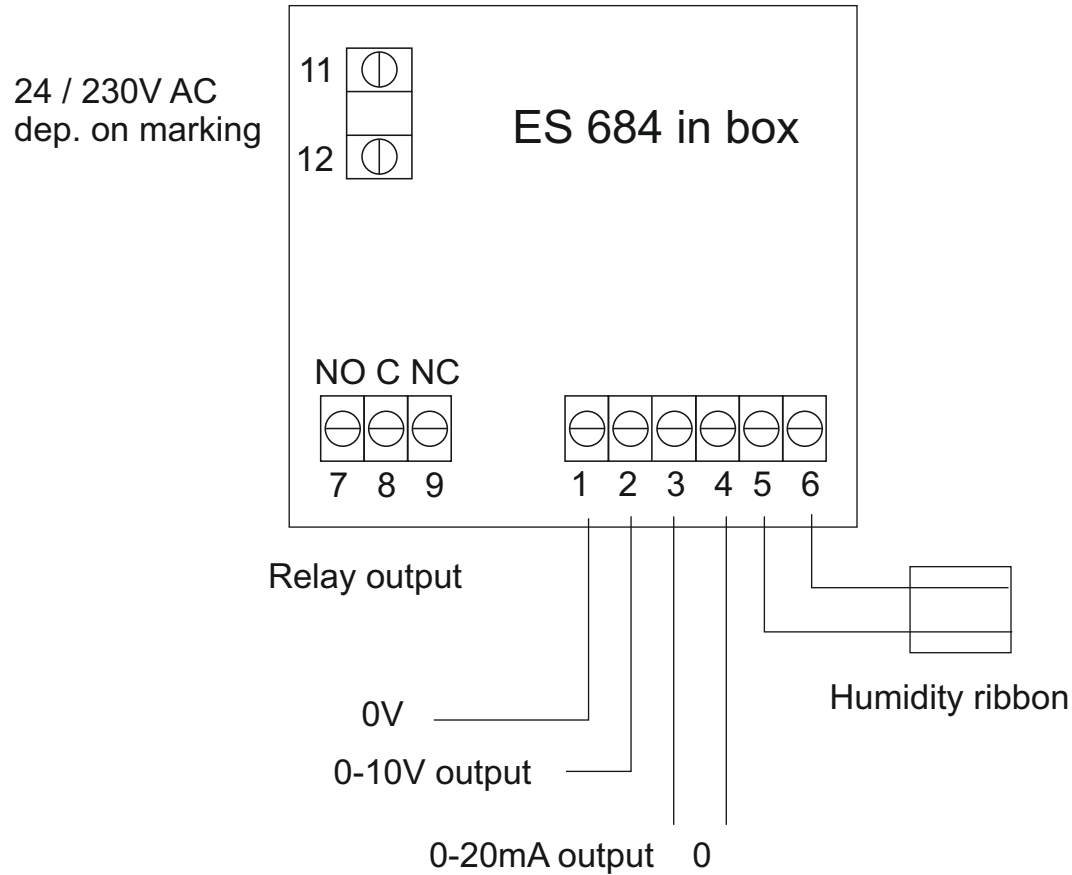


ES 684

CondensateSwitch in box

Connection diagram:



Technical data :

Supply:	24 / 230V AC (dep. on order)
Relay output:	16A / 250V
Change over point:	80% of output signal
Enclosure:	IP 20
Surrounding Temperature:	-10 - 40°C
Dimensions (HxWxD)	
Box:	75x110x50 mm

Description:

Condensate switch in a gray plastic box. For example for detection of condensate on ventilation ducts.

- relay output which changes at 80% of output signal
- 0-10V output

Humidity ribbon is ordered by the meter.

Adjustment:

No adjustment.

Mounting:

Must not be exposed to direct sunlight or mounted close to heating element.

Note, it is very difficult to measure moist in frost and erroneous measure may occur when temperature is shifting between frost and thaw as moist may form an icecap around the humidity ribbon making measuring very difficult.

Date: 11/12-2018

Drawn by: JEH/MEJ/df

Rev.: 1.2

Manufactured by: LS Control A/S

LSCONTROL

www.lsccontrol.dk

lsc@lsccontrol.dk

tel. +45 5550 5550

fax +45 5550 2265