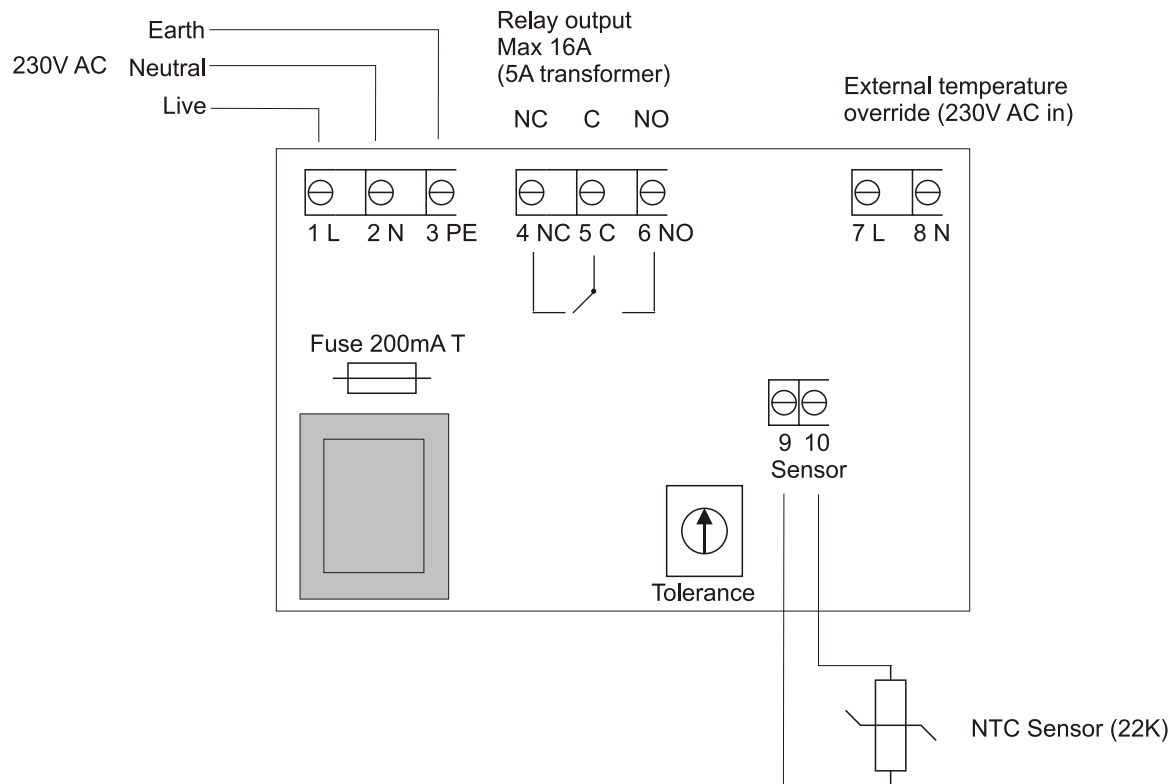
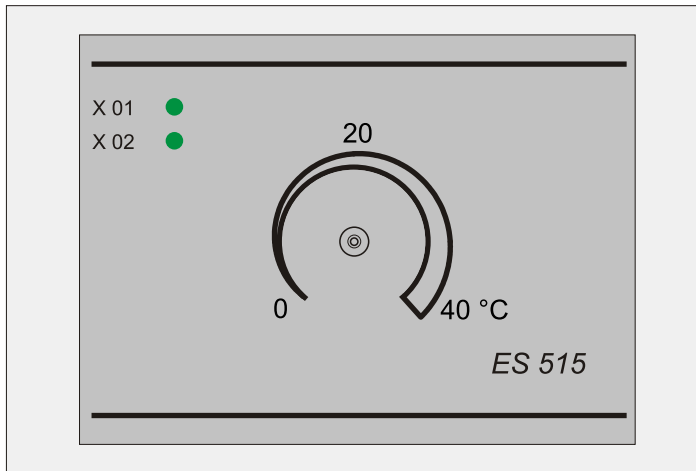


# ES 515

## Thermostat

### Connection diagram:



### Technical specifications:

Power supply:	230V AC (-10% +6%), 50 Hz
Mains fuse:	10 A
Fuse:	200 mA T
Relay output:	Change over switch Max. 16 AAC1
Hysteresis:	1 °C
Enclosure:	IP 34
Dimensions (HxWxD):	80 x 120 x 56 mm
Op. Temperature:	0-40 °C

### Description:

The ES 515 unit is a thermostat designed for connection to 5 step transformer with voltage free relay. The thermostat maintains a preset temperature by starting the heating fan when the temperature falls below the preset temperature and by turning it off when the temperature exceeds the preset temperature. The temperature control range is: 0-40 °C. Equipped with night setback activated by external switch. When night setback is active the temperature is lowered 5°C. 2 light diodes on the front indicates that the relay is closed and the thermostat is in night setback mode. The thermostat is supplied with an internal NTC sensor, which it is possible to replace with an external sensor. The external sensor is to be ordered separately. The NTC sensor output is galvanic separated from mains.

### Adjustment:

The setpoint is adjustable by means of the tolerance potentiometer.

### Mounting:

Cables are to be connected in accordance with the diagram and applicable law.

Date: 05-09-2006  
 Drawn by: Allan Hansen /JEH  
 Rev.: 2.1  
 Manufactured by: **LS Control A/S**



www.lsccontrol.dk

lsc@lsccontrol.dk tel. +45 5550 5550 fax +45 5550 2265