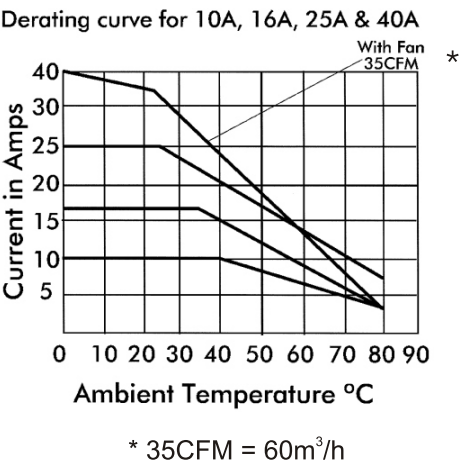
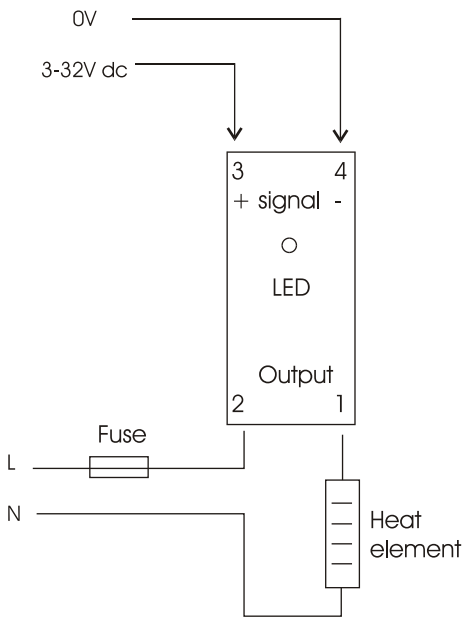


Solid state relays - single phase



Partnumber : **4-43-05** **4-43-06**

Parameter	Symbol	Unit	DIN 30D 241600	DIN 30D 66400
Control voltage range		Vdc	3 - 32	3-32
Control current range		mA	8 - 30	8-30
Pick-up voltage		Vdc	3.0	3.0
Drop-out voltage		Vdc	1.0	1.0
Input resistance			Current regulator	Current regulator
RMS on-state current	I_T	A	16	40
Mains control volt		Vac	24 - 240	48-660
Repetitive peak off state voltage	V _{drm}	V _{pk}	600	1200
Zero turn-on voltage		Vac	35	35
On-state voltage drop	V _{tm}	Vac	1 . 6	1.8
Off-state leakage current @ rated voltage	I _{drm}	mA	5	5
Peak one cycle surge Current (Non-Rrep)	I _{TSM}	A	250	1000
Holding current	I _H	mA	120	250
Critical rate of rise of off state voltage	dv/dt	V/ μ S	250	700
Thermal resistance (junction to case)	R _{thjc}	$^{\circ}$ C/W	1.3	0.43
Frequency range	f	Hz	47 ~ 63	47 ~ 63
Storage temperature	T _s	$^{\circ}$ C	- 30 to + 100	- 30 to + 100
Operating temperature	T _o	$^{\circ}$ C	- 30 to + 80	- 30 to + 80
Turn-on time	T-on	ms	10	10
Turn-off time	T-off	ms	10	10
Fusing current	I _f	A ² S	128	3700



Technical specifications :

Power supply: 24 (48) - 240 (660V) AC, 47 - 63Hz.
 Load: See specific data under the 2 modules. Remember fuse and cooling.
 Enclosure: IP00 with cover plate
 Op. temperature: 0 - 25 (80) $^{\circ}$ C See specific data
 Control input signal: 3 - 32V DC, 8 - 30mA
 Pickup 3V, Drop out voltage 1V
 Insulation voltage: 2500V ac

Description :

Solid power output for DIN rail mounting in cabinet.
 The individual modules can be connected individually or together at 2 or 3 phase loads.
 Solid state relays are used when a control system is required to switch on and off a 24 - 660V AC load by a control signal (on - off).
 When the control input receives between 3 and 32V DC, the unit automatically switches on when it passes the zero voltage point, and switches off next time it passes the zero voltage point when voltage is removed.
 The modules are designed for 16A and 25A (35-40A)

Adjustment:

No adjustment required.
 A red light displays the control signal.

Mounting:

Adequate cooling are to be supplied in accordance with specifications and load.
 The modules are to be mounted on a horizontal DIN rail to ensure correct cooling and a stable base.
 The distance between modules must be minimum 30 mm.

Note that the 40A module is to be fan cooled, otherwise it can only be used as a 25A module.

Date: 15/9 2009
 Drawn by: PN
 Rev.: 1.0
 Manufactured by: **LS Control A/S**



www.lsccontrol.dk

lsc@lsccontrol.dk tel. +45 5550 5550 fax +45 5550 2265