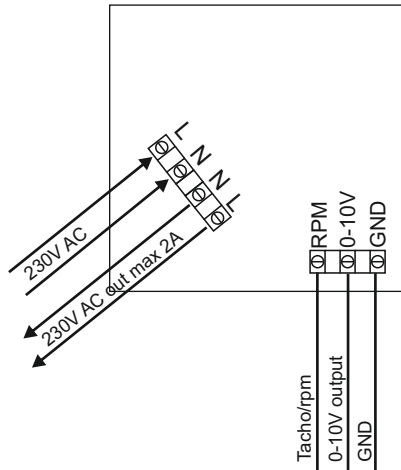
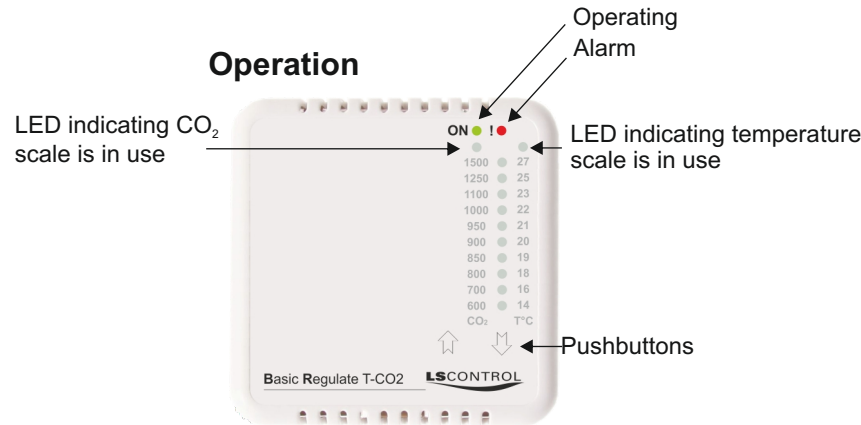


BasicRegulate Combi CO2+Temp

Electrical diagram

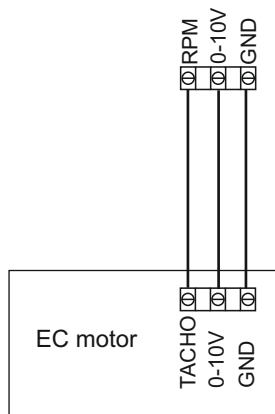


Operation

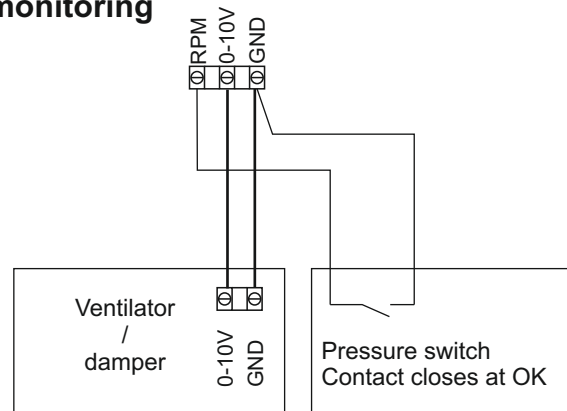


Press the arrow-up shortly to get the current CO₂ measurement value.
 Press the arrow-down shortly to get the current temperature value.
 Pressing the arrow-up for 3sec. opens the possibility of changing the CO₂ Set point. Use arrow up/down to adjust the value up or down. Set-point is locked after 10 sec.
 Pressing the arrow-down for 3sec. opens the possibility of changing the temperature set-point. Use arrow up/down to adjust the value up or down. Set-point is locked after 10sec.
Note; When reading or setting the temperature or CO₂ the LED above the scale for either CO₂ or temperature is lit.

Connection to EC-Motor



Connection for damper/Ventilator or filter monitoring



NOTE: If BasicRegulate is not connected to neither EC-motor nor PressureSwitch the GND and RPM clamps must be connected to each other and input type must remain at default setting (pressureSwitch)

Technical Specifications:

Power Supply: 230V AC 50Hz ±10%
 0-10V Output: 5mA
 230V Output: Max 2A!
 Working Area, Temperature: 0-40°C
 Adjustment Area, Temperature: 14-27°C
 Working Area, CO₂: 0-2000ppm
 Adjustment Area, CO₂: 600-1500ppm

Enclosure: IP20
 Dimensions: 85x85x30mm

Description:

Regulator with build-in sensor and warning light. The regulator supply a 0-10V output signal for a ventilator, damper or other equipment. Minimum output signal is adjustable. BasicRegulate has a green LED lit, when operating and a red LED warning light which can be used for filter monitoring (if a pressure switch is connected) or for monitoring Tacho signal or rpm from an EC-motor / ventilator. If the 0-10Volt output is lower than 1.7Volt, the tach / Pressure switch is not monitored.

Default Settings:

Minimum output (0-10V): 2Volt
 Regulatating direction: UP (higher temperature or CO₂,- higher output.
 Input type (tacho or pressure switch): Pressure switch.

Changing default settings:

Simultaneously press down arrow up/down buttons for 30sec. until both operating and warning LED flashes. The minimum output can now be adjusted up or down using the arrow up/down buttons. The lowest LED represents 0V. Note it is the third LED which is lit as it represents 2V. The output voltage can be adjusted up to 9V, each step (LED) representing 1V.
 After 10sec. without pressing the arrow up/down buttons it will be possible to set input type to tacho or pressure switch. Pressure switch is indicated by the 4 LEDs in the middle are constantly lit. To change this setting to tacho press the arrow up/down - when the 4 LEDs in the middle flashes tacho input is selected.
 Operating mode is resumed 10sec. after last keystroke.

BasicRegulate uses the widely used ABC algorithm, which ensures long life without calibration. Only the room cannot be used constantly, but must regularly get sufficient airflow to lower the CO₂ to fresh air level (max. 600 ppm).

Mounting:

Mount directly on wall or on top of a wall panel.

Drawing: 950-206972 BasicRegulate-CO2+Temp_ES1090

Version / Rev. 2.0

Date: 10/9-2018

Drawn by: BJ/UP/df

Manufactured by: **LS Control A/S**

Industrivej 12, DK-4160 Herlufmagle, Denmark

lsc@lscontrol.dk tel. +45 5550 5550 fax +45 5550 2265

