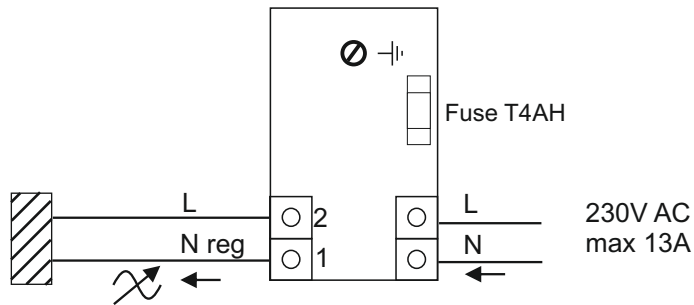


Heat Control 4

4A Manual regulator with switch

Installation example:

Installation with heating element:



Technical data :

Supply:	230 V AC, 50/60 Hz
Mains fuse:	max. 13A
Integrated fuse:	T4AH 250 V AC
Max load:	4 A (920VA)
Enclosure:	IP 22
Dimension(HxBxD):	100 x 72 x 66 mm
Ambient temperature:	0-40 °C non condensing
Regulation output:	5-100%

Description:

Control of heating elements and other ohmic loads up to 4,0A. The switch is integrated into the potentiometer. When the potentiometer is switched off the power consumption is 0W.

Heat Control 4 is a pulse/wave train regulator which functions by adjusting the time the output voltage is turned on. The pulse periode is approximately 12 seconds. The time of the periode is fixed and cannot be adjusted.

At 50% the output power is turned on for 6 seconds and turned off for 6 seconds.

The output power starts at 5% in minimum and can be adjusted to 100% in maximum. The light on the front turns on when there is voltage on the output.

Adjustment:

The heating level is adjusted on the button at the front of Heat Control 4.

Mounting:

The regulator is mounted in blind cover for LS shaver enclosure.

Tegning: 950-205302_HEAT_CONTROL4_ES1055_DK
Rev.: 1.0
Dato: 18/3-2013
Tegnet af: KM/df
Producent: **LS Control A/S**

LSCONTROL

lsc@lsccontrol.dk tel. +45 5550 5550 fax +45 5550 2265